



Software Verification

Lecture 12: Software Model Checking

Carlo A. Furia

Program Verification: the very idea



P: a program

S: a specification

```
max (a, b: INTEGER): INTEGER is
do
  if a > b then
    Result := a
  else
    Result := b
  end
end
```

```
require
  True
ensure
  Result >= a
  Result >= b
```

Does $P \models S$ hold?

The Program Verification problem:

- **Given:** a program P and a specification S
- **Determine:** if **every execution** of P , for any value of input arguments, **satisfies** S

Verification of Finite-State Program

P: a program

S: a specification

Does $P \models S$ hold?

The Program Verification problem is decidable if P is finite-state

– Model-checking techniques

But real programs are not finite-state

- arbitrarily complex inputs
- dynamic memory allocation
- ...

Software Model-Checking: the Very Idea



The term *Software Model-Checking* denotes an array of techniques to automatically verify real programs based on *finite-state models* of them.

It is a convergence of verification techniques developed during the late 1990's.

The term "software model checker" is probably a misnomer [...] We retain the term solely to reflect historical development.

-- R. Jhala & R. Majumdar: "Software Model Checking"
ACM CSUR, October 2009



Software Model-Checking based on **CEGAR**:

Counterexample-Guided Abstraction/Refinement

- A popular framework for software model-checking

Integrates three fundamental techniques:

- Predicate abstraction of programs
- Detection of spurious counterexamples
- Refinement by predicate discovery



The Big Picture

CEGAR Software Model Checking



ABSTRACT PROGRAM

CONCRETE PROGRAM

```
add_invariant_to_all_while_loops (an_invariant: PRODUCTION_CLASS) is
  -- add invariant (assumed to be of type Expr)
  -- to every single while loop in the first procedure
  require
    an_invariant.type = Expr
  local
    loop_invariant: PRODUCTION_CLASS
  loop
    loop_invariant := PRODUCTION_CLASS
  do
    -- (if LoopInvStar is used)
    create loop_invariant_star as new LoopInvStar
    loop_invariant.add_child (create {PRODUCTION_CLASS}.make_with_value
      (INVARIANTOM, "invariant"))
    loop_invariant.add_child (an_invariant)
    loop_invariant_star.add_child (loop_invariant)
  -- for every while loop in procedure
  from procedure.start (Stat)
  until procedure.after
  loop
    if procedure.item.children[] .type = WHILE then
      -- build new LoopInvStar block
      create loop_invariant_star as new LoopInvStar
      -- add old LoopInvStar as first child
      loop_invariant_star.add_child (procedure.item.children[])
```



(increasing) abstraction

CEGAR Software Model Checking



ABSTRACT PROGRAM

```
add_invariant_to_all_while_loops (an_invariant: PRODUCTION_CLASS) is
  -- add invariant (assumed to be of type Expr)
  -- to every single while loop in the first procedure
  require
    an_invariant.type = Expr
  local
    loop_invariant: PRODUCTION_CLASS
  loop
    loop_invariant := PRODUCTION_CLASS
  do
    -- (if @Invar is a loop invariant)
    create loop_invariant_star as first child
    loop_invariant.add_child (create {PRODUCTION_CLASS}.make_with_value
      (INVARIANTOM, "invariant"))
    loop_invariant.add_child (an_invariant)
  loop_invariant_star.add_child (an_invariant)
  -- for every while loop in procedure
  from procedure.start (Stat)
  until procedure.after
  loop
    if procedure.itex.children[1].type = WHILEM then
      -- build new LoopInvarStar block
      create loop_invariant_star (LoopInvarStar)
      -- add old LoopInvarStar as first child
      loop_invariant_star.add_child (procedure.itex.children[1])
```

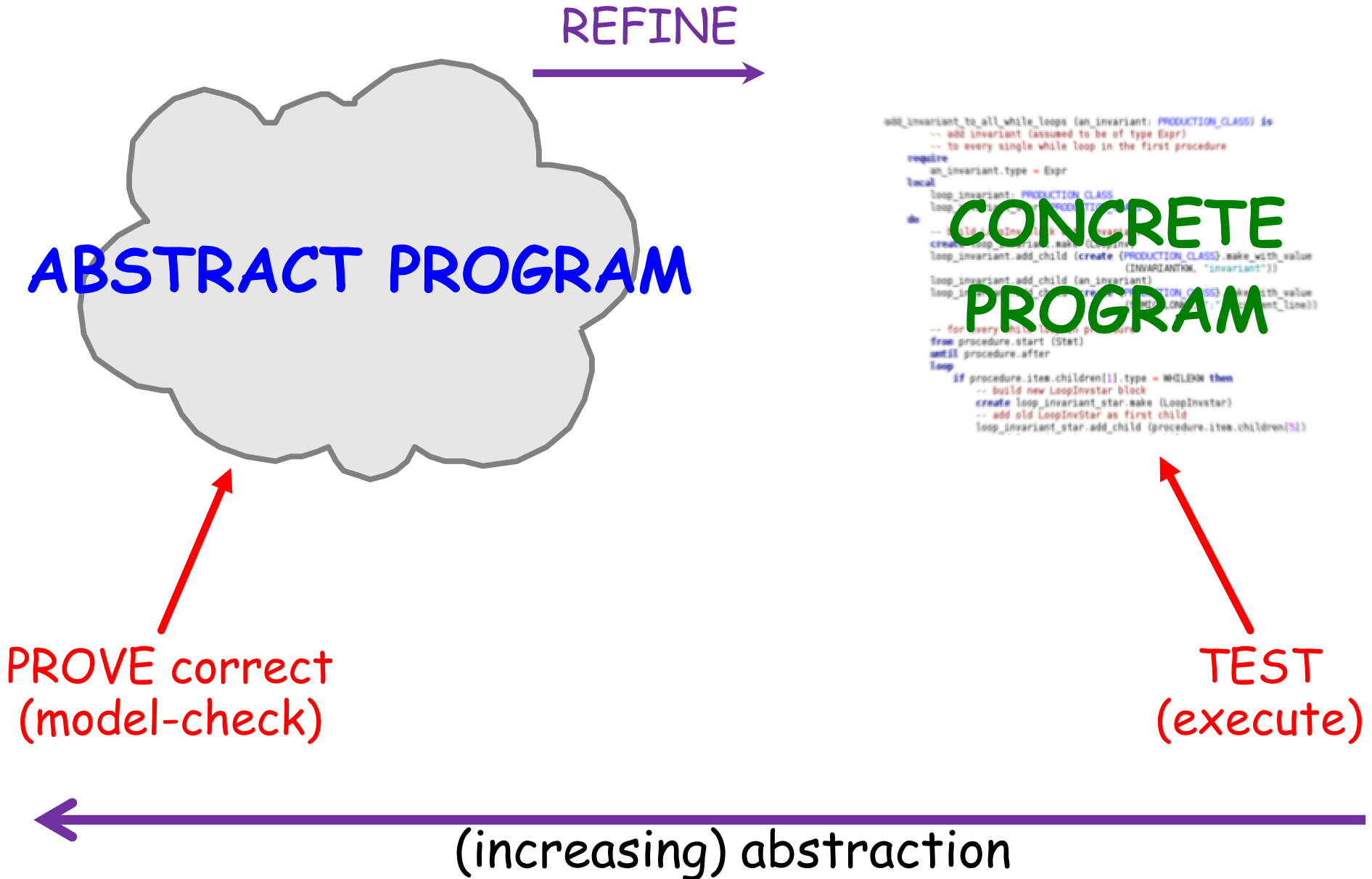
CONCRETE PROGRAM

PROVE correct
(model-check)

TEST
(execute)

← (increasing) abstraction

CEGAR Software Model Checking

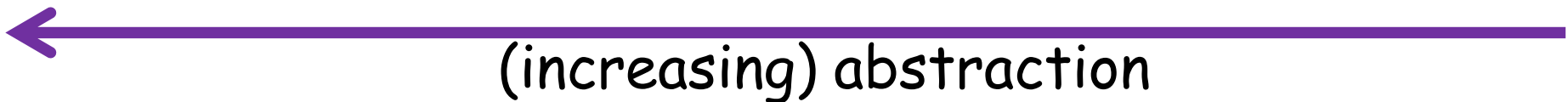
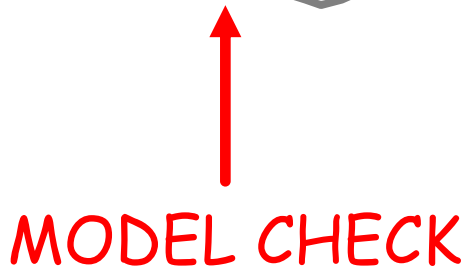


CEGAR Software Model Checking

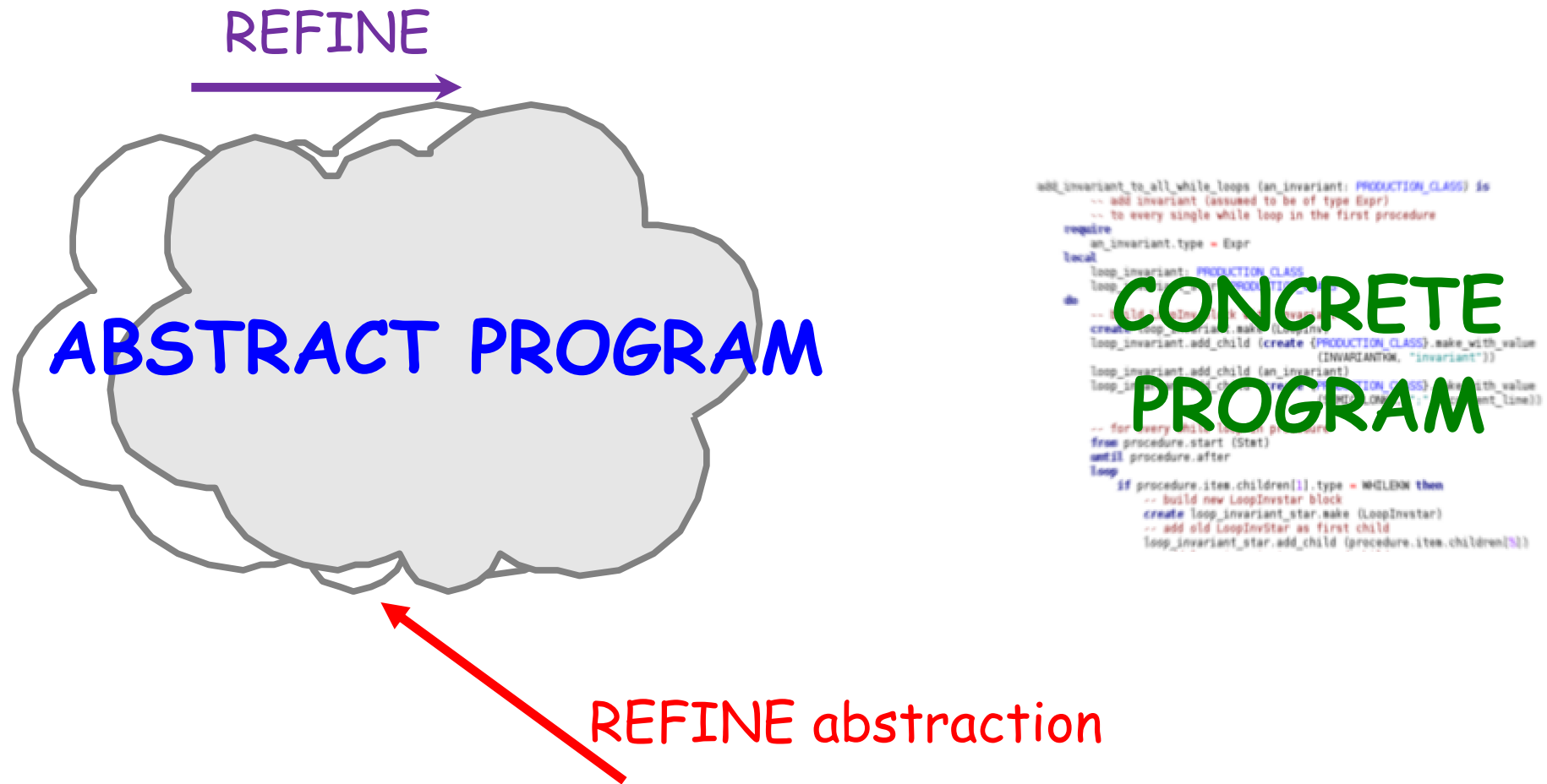


```
add_invariant_to_all_while_loops (an_invariant: PRODUCTION_CLASS) $s
-- add invariant (assumed to be of type Expr)
-- to every single while loop in the first procedure
require
  an_invariant.type = Expr
local
  loop_invariant: PRODUCTION_CLASS
  loop_invariant_star: PRODUCTION_CLASS
do
  -- build new LoopInvar block
  create loop_invariant_star.make (LoopInvar)
  -- add old LoopInvar as first child
  loop_invariant_star.add_child (procedure.iter.children[0])
  loop_invariant.add_child (create (PRODUCTION_CLASS).make_with_value
    (INVARIAFORM, "invariant"))
  loop_invariant.add_child (an_invariant)
  loop_invariant_star.add_child (loop_invariant)
  loop_invariant_star.add_child (loop_invariant_star)
  -- for every while loop in procedure
  from procedure.start (Stat)
  until procedure.after
  loop
    if procedure.iter.children[0].type = WHILE then
      -- build new LoopInvar block
      create loop_invariant_star.make (LoopInvar)
      -- add old LoopInvar as first child
      loop_invariant_star.add_child (procedure.iter.children[0])
```

CONCRETE PROGRAM



CEGAR Software Model Checking



← (increasing) abstraction

CEGAR Software Model Checking



ABSTRACT PROGRAM

```
add_invariant_to_all_while_loops (an_invariant: PRODUCTION_CLASS) is
-- add invariant (assumed to be of type Expr)
-- to every single while loop in the first procedure
require
  an_invariant.type = Expr
local
  loop_invariant: PRODUCTION_CLASS
  loop_invariant_star: LoopInvarStar
do
  -- Create new LoopInvarStar
  loop_invariant_star := create (LoopInvarStar)
  loop_invariant_star.add_child (create (PRODUCTION_CLASS).make_with_value
    (INVARIAFORM, "invariant"))
  loop_invariant.add_child (an_invariant)
  loop_invariant_star.add_child (loop_invariant)
  -- for every while loop in procedure
  from procedure.start (Stat)
  until procedure.after
  loop
    if procedure.iter.children[] .type = WHILE then
      -- build new LoopInvarStar block
      create loop_invariant_star.make (LoopInvarStar)
      -- add old LoopInvarStar as first child
      loop_invariant_star.add_child (procedure.iter.children[])
```

CONCRETE PROGRAM

START OVER with new abstraction

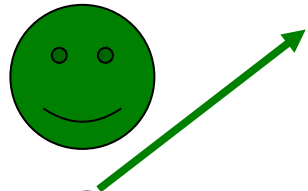


(increasing) abstraction



Outcome 1: Successful Verification

proof SUCCEEDS: PROGRAM is VERIFIED



ABSTRACT PROGRAM



MODEL CHECK

```
add_invariant_to_all_while_loops (an_invariant: PRODUCTION_CLASS) is
-- add invariant (assumed to be of type Expr)
-- to every single while loop in the first procedure
require
  an_invariant.type = Expr
local
  loop_invariant: PRODUCTION_CLASS
  loop_invariant_star: LoopInvStar
in
  -- create LoopInvStar from the invariant
  create loop_invariant_star.make (loop_invariant)
  loop_invariant.add_child (create (PRODUCTION_CLASS).make_with_value
    (INVARIANTOM, "invariant"))
  loop_invariant.add_child (an_invariant)
  loop_invariant_star.add_child (loop_invariant)
  -- for every child of the procedure
  from procedure.start (Stat)
  until procedure.after
  loop
    if procedure.iter.children[1].type = WHILEM then
      -- build new LoopInvStar block
      create loop_invariant_star.make (loop_invariant)
      -- add old LoopInvStar as first child
      loop_invariant_star.add_child (procedure.iter.children[1])
```

CONCRETE PROGRAM



Outcome 2: Real Bug Found

verification fails: COUNTEREXAMPLE



ABSTRACT PROGRAM

MODEL CHECK

execute COUNTEREXAMPLE



```

add_invariant_to_all_while_loops (an_invariant: PRODUCTION_CLASS) is
  -- add invariant (assumed to be of type Expr)
  -- to every single while loop in the first procedure
  require
    an_invariant.type = Expr
  local
    loop_invariant: PRODUCTION_CLASS
  loop
    loop_invariant := PRODUCTION_CLASS.new
  do
    -- ...
    loop_invariant.add_child (create (PRODUCTION_CLASS).make_with_value
      (INVARIANTFM, "invariant"))
    loop_invariant.add_child (an_invariant)
  loop_invariant_star := LOOP_INVARIANT_STAR.new_with_value
    (loop_invariant)
  from procedure.start (Stat)
  until procedure.after
  loop
    if procedure.item.children[] .type = WHILE then
      -- build new LoopInvariantStar block
      create loop_invariant_star.make (LoopInvariant)
      -- add old LoopInvariantStar as first child
      loop_invariant_star.add_child (procedure.item.children[])

```

CONCRETE PROGRAM



COUNTEREXAMPLE
executable: REAL BUG

Outcome 3: Loop Forever



verification fails: COUNTEREXAMPLE

execute COUNTEREXAMPLE

ABSTRACT PROGRAM

CONCRETE PROGRAM

```
add_invariant_to_all_while_loops (an_invariant: PRODUCTION_CLASS) is
-- add invariant (assumed to be of type Expr)
-- to every single while loop in the first procedure
require
  an_invariant.type = Expr
local
  loop_invariant: PRODUCTION_CLASS
  loop_invariant_star: LoopInvariantStar
do
  -- Create loop invariant
  create loop_invariant_star.make (LoopInvariantStar)
  loop_invariant.add_child (create (PRODUCTION_CLASS).make_with_value
    (INVARIANTOM, "invariant"))
  loop_invariant.add_child (an_invariant)
  loop_invariant_star.add_child (loop_invariant)
  loop_invariant_star.add_child (an_invariant)
  -- for every while loop in procedure
  from procedure.start (Stat)
  until procedure.after
  loop
    if procedure.iter.children[] .type = WHILE then
      -- build new LoopInvariantStar block
      create loop_invariant_star.make (LoopInvariantStar)
      -- add old LoopInvariantStar as first child
      loop_invariant_star.add_child (procedure.iter.children[])
```

REFINE abstraction

MODEL CHECK

COUNTEREXAMPLE not executable



CEGAR Software Model-Checking



Integrates three fundamental techniques:

- Predicate abstraction of programs
- Detection of spurious counterexamples
- Refinement by predicate discovery

Let us now present these techniques in some detail.



**Technical premises:
weakest preconditions of
assertion instructions
and parallel conditional assignments**

Assertions and assumptions

For a straightforward presentation of the techniques, we introduce **two distinct forms of annotations** in the programming language.

- **Assumptions** describe information that every run reaching the instruction has.

`assume exp end`

- A run reaching an **assumption** that evaluates to **False** is infeasible.

- **Assertions** describe information that every run continuing after the instruction must have.

`assert exp end`

- A run reaching an **assertion** that evaluates to **False** terminates with an error.

Assertions and assumptions



The weakest precondition of assertions and assumptions is computed with the following rules.

- $\{ \text{exp} \Rightarrow Q \} \text{ assume exp end } \{ Q \}$
- $\{ \text{exp} \wedge Q \} \text{ assert exp end } \{ Q \}$

We will not use annotations directly in source programs, but only to build transformations into predicate abstractions and to describe program runs.

Sometimes, we will denote assertions or assumptions with brackets:

[exp]

Parallel assignments

For a straightforward presentation of the techniques in the following, we also introduce **the parallel assignment**:

$$v_1, v_2, \dots, v_m := e_1, e_2, \dots, e_m$$

- First, all the expressions e_1, e_2, \dots, e_m are evaluated on the pre state.
- Then, the computed values are orderly assigned to the variables v_1, v_2, \dots, v_m .

Example:

$$\begin{array}{lll} \{ x = 3, y = 1 \} & x := y ; y := x & \{ x = \quad , y = \quad \} \\ \{ x = 3, y = 1 \} & x, y := y, x & \{ x = \quad , y = \quad \} \end{array}$$

Parallel assignments

For a straightforward presentation of the techniques, we also introduce **the parallel assignment**:

$$v_1, v_2, \dots, v_m := e_1, e_2, \dots, e_m$$

- First, all the expressions e_1, e_2, \dots, e_m are evaluated on the pre state.
- Then, the computed values are orderly assigned to the variables v_1, v_2, \dots, v_m .

Example:

$\{ x = 3, y = 1 \}$	$x := y ; y := x$	$\{ x = 1, y = 1 \}$
$\{ x = 3, y = 1 \}$	$x, y := y, x$	$\{ x = 1, y = 3 \}$

Parallel conditional assignment

- The parallel assignment and the conditional can be combined into a **parallel conditional assignment**:

if c_1^+ then $v_1 := e_1^+$ elseif c_1^- then $v_1 := e_1^-$ else $v_1 := e_1^?$ end

if c_2^+ then $v_2 := e_2^+$ elseif c_2^- then $v_2 := e_2^-$ else $v_2 := e_2^?$ end

...

if c_m^+ then $v_m := e_m^+$ elseif c_m^- then $v_m := e_m^-$ else $v_m := e_m^?$ end

- First, evaluate all the conditions (well-formedness requires c_k^+ and c_k^- to be mutually exclusive, for all k).
- Then, evaluate the expressions.
- Finally, perform the assignments.



Predicate Abstraction

Abstraction



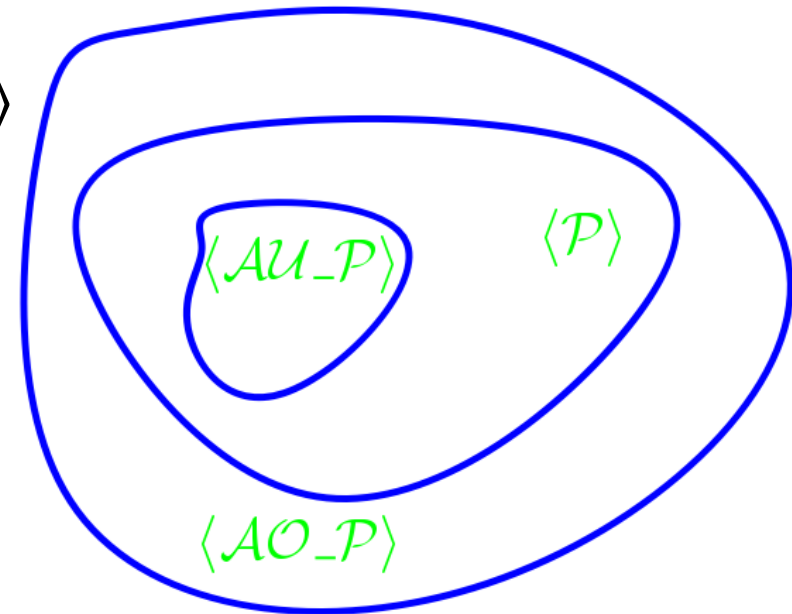
Abstraction is a **pervasive idea** in computer science. It has to do with **modeling** some crucial (behavioral) **aspects** while **ignoring** some other, **less relevant**, ones.

- **Semantics** of a program **P**: a set of runs $\langle P \rangle$
 - set of **all runs** of **P** for **any** choice of **input arguments**
 - a run is completely described by a **list of program locations** that gets executed in order, together with the **value that each variables has** at the location.
- **Abstraction** of a program **P**: another program **A_P**
 - **A_P**'s semantics is "**similar**" to **P**'s
 - define some **mapping** between the runs of **A_P** and **P**
 - **A_P** is more amenable to **analysis** than **P**

Over- and Under-Approximation

Two main kinds of abstraction:

- **over-approximation**: program AO_P
 - AO_P allows "more runs" than P
 - for every $r \in \langle P \rangle$ there exists a $r' \in \langle AO_P \rangle$
 - intuitively: $\langle P \rangle \subseteq \langle AO_P \rangle$
 - AO_P allows some runs that are "spurious" (also "infeasible") for P
- **under-approximation**: program AU_P
 - AU_P allows "fewer runs" than P
 - for every $r \in \langle AU_P \rangle$ there exists a $r' \in \langle P \rangle$
 - intuitively: $\langle AU_P \rangle \subseteq \langle P \rangle$
 - AU_P disallows some runs that are "legal" (also "feasible") for P



Over- and Under-Approximation: Example



```
max (x, y: INTEGER): INTEGER
do
  if x > y
    then Result := x
    else Result := y
  end
end
```

```
AO_max (x, y: INTEGER): INTEGER
do
  if x > y
    then Result := x
    else Result := y
  end
  if ? then Result := 3 end
end
```

```
AU_max (x, y: INTEGER): INTEGER
do
  if x > y
    then Result := x
    else assume False end
  end
end
```

Predicate Abstraction

In **predicate abstraction**, the abstraction A_P of a program P uses only **Boolean variables** called "**predicates**".

- Each predicate captures a significant **fact about the state** of P
- The abstraction A_P is constructed **parametrically** w.r.t. a set **pred** of **chosen predicates** as an **over-approximation** of the program P
 - the **arguments** of A_P are the predicates in **pred**
 - assume arguments are **both input and output arguments** (this deviates from Eiffel's semantics)
 - each **instruction** $inst$ in P is replaced by a (possibly compound) **instruction** $inst'$ in A_P such that:
 - if executing $inst$ in P leads to a concrete state S , then executing $inst'$ in A_P leads to a state which is the **strongest over-approximation** of S in terms of **pred**

Predicate Abstraction: Informal Overview



- Each predicate corresponds to a Boolean expression.
- A set of Boolean program variables in A_P track the values of the predicates in the abstraction.
- Translate each instruction in P into a (compound) instruction which updates the Boolean variables.
- To have an over-approximation the instructions in A_P will:
 - define whatever follows with certainty from the information given by the predicates
 - use under-approximations of arbitrary Boolean expressions through the predicates
 - everything else is nondeterministically chosen

Boolean Predicates and Expressions

Consider a set of predicates

$$\text{pred} = \{p(1), \dots, p(m)\}$$

and a set of corresponding Boolean expressions over program variables

$$\text{exp} = \{e(1), \dots, e(m)\}$$

For a generic Boolean expression f over program variables, $\text{Pred}(f)$ denotes the weakest Boolean expression over pred that is at least as strong as f .

- Substituting every atom $p(i)$ in $\text{Pred}(f)$ with the corresponding expression $e(i)$ gives an expression that **implies** f .
- $\text{Pred}(f)$ is an **under-approximation** of f , used to build the strongest over-approximations of instructions.

Boolean Under-Approximation: Example

- $\text{pred} = \{ p, q, r \}$
- $\text{exp} = \{ x = 1, x = 2, x \leq 3 \}$

- $\text{Pred}(x = 1) =$
- $\text{Pred}(x = 0) =$
- $\text{Pred}(x \leq 2) =$
- $\text{Pred}(x \neq 0) =$

Boolean Under-Approximation: Example

- $\text{pred} = \{ p, q, r \}$
- $\text{exp} = \{ x = 1, x = 2, x \leq 3 \}$

- $\text{Pred}(x = 1) = p$
- $\text{Pred}(x = 0) = \text{False}$
- $\text{Pred}(x \leq 2) = p \vee q$
- $\text{Pred}(x \neq 0) = p \vee q \vee \neg r$

- In general: $\text{Pred}(\neg f) \neq \neg \text{Pred}(f)$

Boolean Under-Approximation: rule of thumb



We want a **weakest under-approximation**:

- Start from the **strongest under-approximation**:
False
- **Weaken it** by adding predicates (negated or unnegated) in **disjunction**
- (In some cases, you may also try **conjunctions** of predicates)
- Add as many disjuncts as possible that **preserve the under-approximation** (i.e., it must always imply the original Boolean expression)

Boolean Under-Approximation: Uniqueness

$\text{Pred}(f)$ may not be (syntactically) uniquely defined when predicates imply each other:

- $\text{pred} = \{ p, q \}$

- $\text{exp} = \{ x < 2, x \leq 2 \}$

$$\begin{aligned} \text{Pred}(x \leq 3) &= p \vee q \\ \text{equivalent to} &= q \end{aligned}$$

- The following transformations are robust w.r.t. the choice of equivalent $\text{Pred}(f)$.
- When predicates imply each other, however, simplifications are possible (see later), so we'd better always include all implied facts in $\text{Pred}(f)$.

Abstraction of Assignments

An **assignment**: $x := f$

is over-approximated by a **parallel conditional assignment** with **m components**. For $1 \leq i \leq m$:

```
if Pred(+f(i)) then
    p(i) := True
elseif Pred(-f(i)) then
    p(i) := False
else p(i) := ?      end
```

- $+f(i)$ is the backward substitution of $e(i)$ through $x := f$
- $-f(i)$ is the backward substitution of $\neg e(i)$ through $x := f$

Abstraction of Assignments: Example

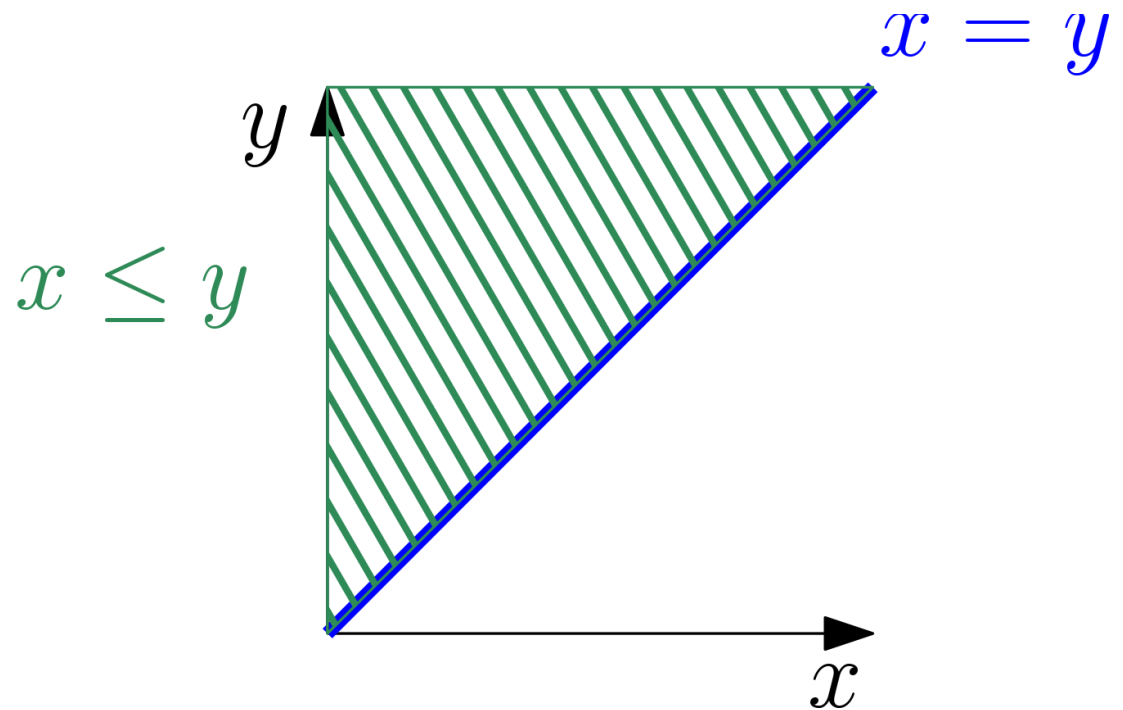
- $\text{pred} = \{ p, q, r \}$
- $\text{exp} = \{ x > y, \text{Result} \geq x, \text{Result} \geq y \}$
- $\text{Result} := x$ is **over-approximated** by:
 - $\text{if } p \text{ then } p := \text{True} \text{ elseif not } p \text{ then } p := \text{False} \text{ else } p := ? \text{ end}$
 - which does nothing
 - $\text{if True then } q := \text{True} \text{ elseif False then } q := \text{False} \text{ else } q := ? \text{ end}$
 - which is equivalent to: $q := \text{True}$
 - $\text{if } p \text{ then } r := \text{True} \text{ elseif False then } r := \text{False} \text{ else } r := ? \text{ end}$
 - which is equivalent to: $\text{if } p \text{ then } r := \text{True} \text{ else } r := ? \text{ end}$

Abstraction of Assignments: Example

- $\text{pred} = \{ p, q, r \}$
- $\text{exp} = \{ x = 1, y = 1, x > y \}$

$y := x$
is over-approximated by
 $q := p ; r := \text{False}$

$\{ x = y \}$
is over-approximated by
 $\{ x \leq y \} \cap$
 $(\{ x = y = 1 \} \cup \{ x, y \neq 1 \})$
or, equivalently,
 $\{ x \leq y \}$



Parallel assignments are necessary

The conditional assignments must be executed in parallel to **guarantee** that the **abstraction is sound** in general.

Example for: **p** ($x = \text{True}$), **q** ($x = \text{False}$)

```
concrete (x: BOOLEAN) do
  x := not x
end
```

```
abstract_ok (p, q: BOOLEAN)
do
  p, q := q, p
end
```

```
abstract_ko (p, q: BOOLEAN)
do
  p := q
  q := p
end
```

Abstraction of Assumptions

An **assumption**: `assume ex end`

is over-approximated by **one assumption**:

`assume not Pred(not ex) end`

and a **parallel conditional assignment** with m components.

For $1 \leq i \leq m$:

`if Pred(+ex(i)) then`

`p(i) := True`

`elseif Pred(-ex(i)) then`

`p(i) := False`

`else p(i) := ? end`

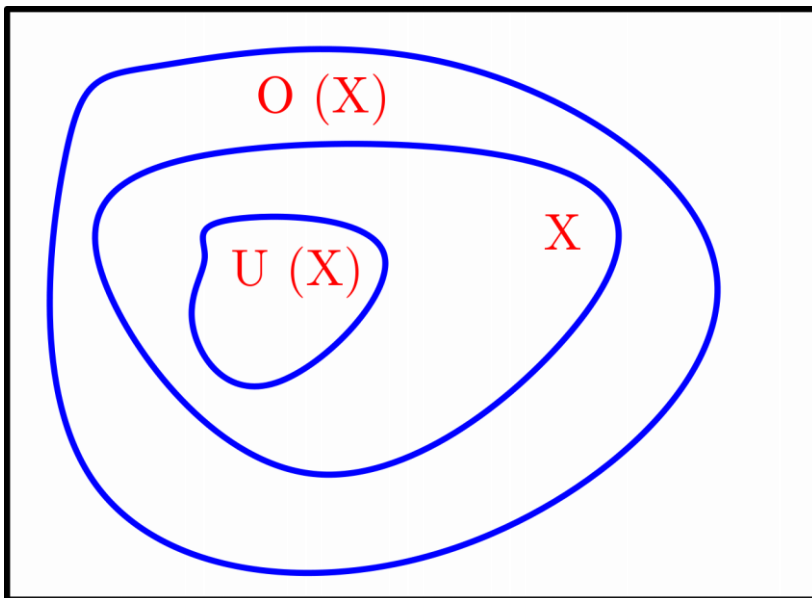
- $+ex(i)$ is the backward sub. of $e(i)$ through `assume ex end`
- $-ex(i)$ is the backward sub. of $\neg e(i)$ through `assume ex end`

Abstraction of Assumptions: Example



The **double negation** is used to get an **over-approximation** from the **under-approximation** given by **Pred**:

- the complement of an under-approximation of x is an over-approximation of the complement of x .



- $\{ p(x=1), q(x=2), r(x \leq 3) \}$
- $\text{Pred}(x \leq 2) = p \vee q$
- $\text{Pred}(x > 2) = \neg r$
- `assume $x \leq 2$ end`
- `assume $p \vee q$ end` is `assume $x=1 \vee x=2$ end`
- `assume $\neg(\neg r)$ end` is `assume $x \leq 3$ end`

Abstraction of Assumptions: Simplification



Except in the cases where $ex \Rightarrow ex(i)$ or $ex \Rightarrow \text{not } ex(i)$ are (unconditionally) valid, the i -th conditional assignment **does not have any effect**, hence it can be **omitted**.

In fact:

$$\begin{aligned} \text{Pred}(+ex(i)) &= \text{Pred}(\text{not } ex \vee ex(i)) \\ &= \text{Pred}(\text{not } ex) \vee \text{Pred}(ex(i)) && \text{(can you prove this?)} \\ &= \text{not } \text{Pred}(\text{not } ex) \Rightarrow p(i) \end{aligned}$$

Which, given the assumption, implies: $p(i)$

$$\begin{aligned} \text{Pred}(-ex(i)) &= \text{Pred}(\text{not } ex \vee \text{not } ex(i)) \\ &= \text{Pred}(\text{not } ex) \vee \text{Pred}(\text{not } ex(i)) \\ &= \text{not } \text{Pred}(\text{not } ex) \Rightarrow \text{not } p(i) \end{aligned}$$

Which, given the assumption, implies: $\text{not } p(i)$

In all:

if $p(i)$ **then** $p(i) := \text{True}$ **elseif** $\text{not } p(i)$ **then** $p(i) := \text{False}$ **else** $p(i) := ?$ **e end**

Abstraction of Assumptions: Simplification

An **assumption**: `assume ex end`

is over-approximated by **one simplified assumption**:

`assume not Pred(not ex) end`

where `not Pred(not ex)` includes:

- a disjunct $p(i)$ such for every i such that $ex \Rightarrow ex(i)$ is valid
- a disjunct `not $p(i)$` such for every i such that $ex \Rightarrow \text{not } ex(i)$ is valid

Abstraction of Assertions



An **assertion**: `assert ex end`

is over-approximated with the same schema as assumptions, namely by **one assertion**:

`assert not Pred(not ex) end`

and a **parallel conditional assignment** with m components.

For $1 \leq i \leq m$:

`if Pred(+ex(i)) then`

`p(i) := True`

`elseif Pred(-ex(i)) then`

`p(i) := False`

`else p(i) := ? end`

- $+ex(i)$ is the backward sub. of $e(i)$ through `assert ex end`
- $-ex(i)$ is the backward sub. of $\neg e(i)$ through `assert ex end`

Abstraction of Conditionals



A conditional:

```
if cond then
  -- then branch
else
  -- else branch
end
```

is over-approximated by first transforming it into normal form:

```
if ? then
  assume cond end
  -- then branch
else
  assume not cond end
  -- else branch
end
```

and then applying the other transformations.

Abstraction of Loops



A **loop**:

```
from
    -- initialization
until cond loop
    -- loop body
end
```

is over-approximated by first transforming it into normal form:

```
from
    -- initialization
until ? loop
    assume not cond end
    -- loop body
end
assume cond end
```

and then applying the other transformations.

Abstractions of pre and postconditions

Preconditions are treated as **assume** instructions and postconditions as **assert** instructions.

(In abstracting the postcondition, the **if** instructions can be omitted).

In all our examples we will always choose predicates which completely describe the pre and postcondition, hence no real abstraction will be introduced.

Predicate Abstraction: Example

```
max (x, y: INTEGER): INTEGER do
```

```
  if  $x > y$  then
```

```
    Result := x
```

```
  else
```

```
    Result := y
```

```
  end
```

```
ensure Result  $\geq x$  and Result  $\geq y$  end
```

Predicates:

- $p: x > y$
- $q: \text{Result} \geq x$
- $r: \text{Result} \geq y$

```
Apqr_max (p, q, r: BOOLEAN) do
```

```
  if ? then
```

```
    assume  $x > y$  end ; Result := x
```

```
  else
```

```
    assume  $x \leq y$  end ; Result := y
```

```
  end
```

```
ensure Result  $\geq x$  and Result  $\geq y$  end
```


Predicate Abstraction: Example



Predicates:

```
Apqr_max (p, q, r: BOOLEAN) do
  if ? then
    assume p end
    Result := x
  else
    assume not p end
    Result := y
  end
ensure q and r end
```

- $p: x > y$
- $q: \text{Result} \geq x$
- $r: \text{Result} \geq y$

Predicate Abstraction: Example



Predicates:

```
Apqr_max (p, q, r: BOOLEAN) do
  if ? then
    assume p end
    q := True
    if p then r := True else r := ? end
  else
    assume not p end
    Result := y
  end
ensure q and r end
```

- $p: x > y$
- $q: \text{Result} \geq x$
- $r: \text{Result} \geq y$

Predicate Abstraction: Example



Predicates:

- $p: x > y$
- $q: \text{Result} \geq x$
- $r: \text{Result} \geq y$

```
Apqr_max (p, q, r: BOOLEAN) do
  if ? then
    assume p end
    q := True
    if p then r := True else r := ? end
  else
    assume not p end
    r := True
    if not p then q := True else q := ? end
  end
ensure q and r end
```

Predicate Abstraction: Example



Predicates:

```
Apqr_max (p, q, r: BOOLEAN) do
  if ? then
    assume p end
    q := True
    r := True
  else
    assume not p end
    r := True
    q := True
  end
ensure q and r end
```

- $p: x > y$
- $q: \text{Result} \geq x$
- $r: \text{Result} \geq y$

Predicate Abstraction: Example



```
max (x, y: INTEGER): INTEGER do
```

```
  if x > y then
```

```
    Result := x
```

```
  else
```

```
    Result := y
```

```
  end
```

```
ensure Result ≥ x and Result ≥ y end
```

Predicates:

- p: $x > y$
- q: $\text{Result} \geq x$
- r: $\text{Result} \geq y$

```
Apqr_max (p, q, r: BOOLEAN) do
```

```
  if p then
```

```
    q := True ; r := True
```

```
  else
```

```
    r := True ; q := True
```

```
  end
```

```
ensure q and r end
```

Predicate Abstraction and Verification



What does it mean to **verify** the **predicate abstraction** A_P of a program P ?

- A_P is **finite state**
 - verification is **decidable**: we can verify A_P automatically
- A_P is an **over-approximation** of P
 - if A_P is **correct** then so is P
 - any run of P is abstracted by some run of A_P
 - if A_P is **not correct** we **can't conclude** about the correctness of P
 - a counterexample run of A_P : the **abstract counterexample** r
 - if r is also the abstraction of some run of P then P is also **not correct**
 - if r is a run which is infeasible for P then r is a **spurious counterexample**

Model-checking a Boolean Program



For a Boolean program P over predicates $\text{pred} = \{p(1), \dots, p(m)\}$

- P 's body: a sequence $\text{loc} = [L(1), \dots, L(n)]$ of instructions or conditional jumps
- P 's postcondition: post

Build an $\text{FSA} = [\Sigma, S, I, \rho, F]$ where:

• $\Sigma = \text{loc}$

• $S = \{\text{True}, \text{False}\}^m \times (\text{loc} \cup \{\text{halt}\})$

– each state in S denotes a program state:

– a truth value for every Boolean variable in pred

– a program location which represents the next line to be executed, or halt if the execution has terminated

• $I = \{ [v(1), \dots, v(m), L(1)] \in S \}$

– the initial states are for any value of the input Boolean arguments

– $L(1)$ is the next instruction to be executed

• $[v'(1), \dots, v'(m), L'] \in \rho([v(1), \dots, v(m), L], L)$ iff one of the following holds:

– L is a conditional jump and: $[v(1), \dots, v(m)]$ satisfies the condition; $v'(i) = v(i)$ for all $1 \leq i \leq m$; L' is the target of the jump when successful.

– L is a conditional jump and: $[v(1), \dots, v(m)]$ does not satisfy the condition; and $v'(i) = v(i)$ for all $1 \leq i \leq m$; L' is the target of the jump when unsuccessful

– L is an instruction and: $[v'(1), \dots, v'(m)]$ is the state resulting from executing L on state $[v(1), \dots, v(m)]$; and L' is the successor of L (or halt if the program halts after executing L)

• $F = \{ [v(1), \dots, v(m), \text{halt}] \in S \mid \text{post} \text{ does not hold for } [v(1), \dots, v(m)] \}$

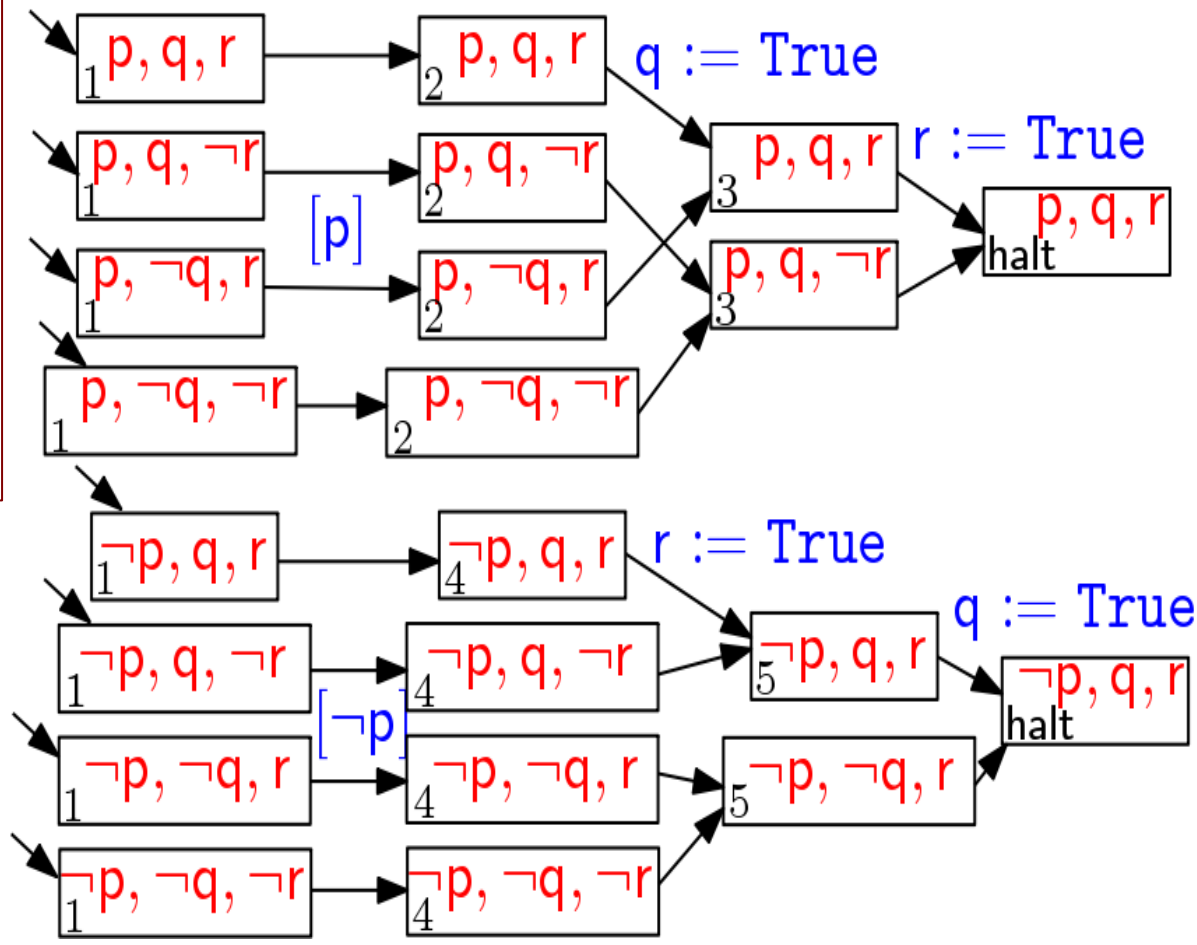
– error states: halting states where the postcondition doesn't hold

Predicate Abstraction: Example



```

Apqr_max (p, q, r: BOOLEAN) do
  1: if p
  2:   then q := True
  3:     r := True
  4:   else r := True
  5:     q := True
  end
ensure q and r end
  
```



Predicate Abstraction: Example

```
Apqr_max (p, q, r: BOOLEAN) do
```

```
  1: if p
```

```
  2:   then q := True
```

```
  3:   r := True
```

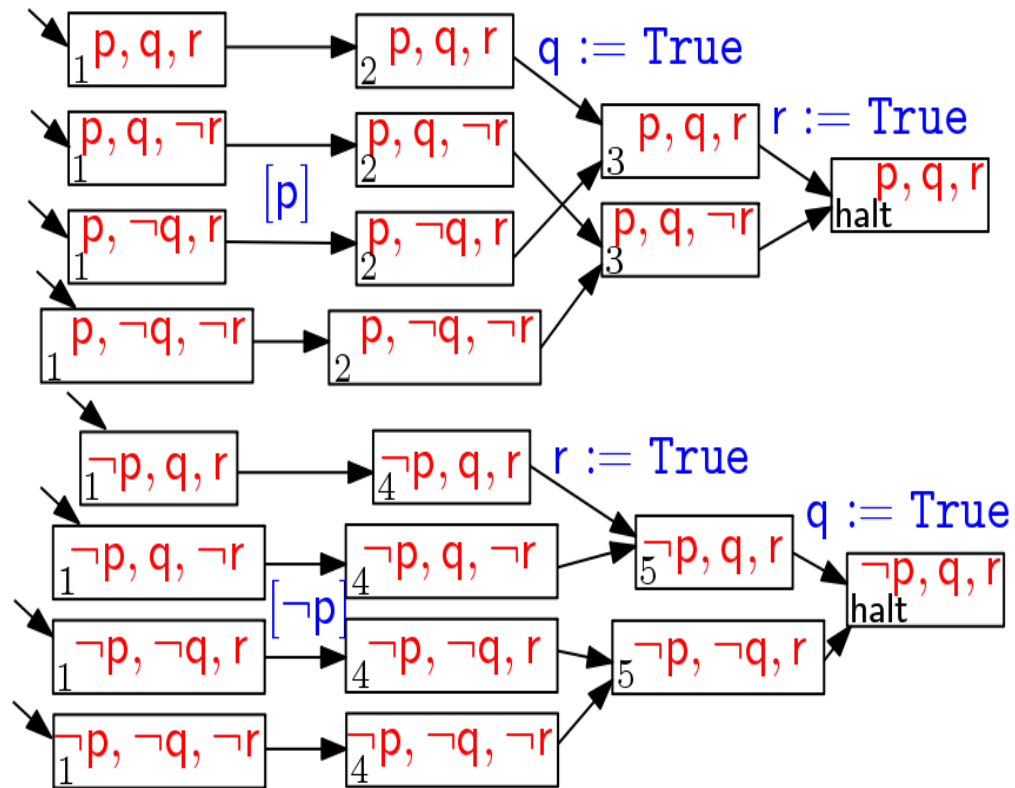
```
  4: else r := True
```

```
  5:   q := True
```

```
  end
```

```
ensure q and r end
```

- Error states: including predicates $\neg q$ or $\neg r$ without outgoing edges
- There are clearly **no accepting (error) runs** because the error states are not even connected
- **Apqr_max** is **correct** and so is **max**





Detection of Spurious Counterexamples

Predicate Abstraction and Verification

What does it mean to **verify** the predicate abstraction A_P of a program P ?

A_P is an **over-approximation** of P

- if A_P is **not correct** we **can't conclude** about the correctness of P
- a counterexample run of A_P : the **abstract counterexample** r
 - if r is also the abstraction of some run of P then P is also not correct
 - if r is a run which is infeasible for P then r is a **spurious** counterexample

Let us show an **automated** (partial) technique to detect **spurious counterexamples**.

Abstract Counterexamples



Consider an **abstract counterexample (c.e.)**, i.e. a run of the finite-state predicate abstraction A_P

{ Pred(0) }	{ Abstract initial state }
inst(1)	Instruction or test
{ Pred(1) }	{ Abstract state }
inst(2)	Instruction or test
...	...
inst(N)	Instruction or test
{ Pred(N) }	{ Abstract final state }

Goal: find whether there exists a **concrete run** of P which is **abstracted by this abstract counterexample**

Abstract Counterexamples: Example



```
max (x, y: INTEGER): INTEGER do
```

```
  if x > y then
```

```
    Result := x
```

```
  else
```

```
    Result := y
```

```
  end
```

```
ensure Result ≥ x and Result ≥ y end
```

Predicates:

- $q: \text{Result} \geq x$
- $r: \text{Result} \geq y$

```
Aqr_max (q, r: BOOLEAN) do
```

```
  if ? then
```

```
    q := True ; r := ?
```

```
  else
```

```
    r := True ; q := ?
```

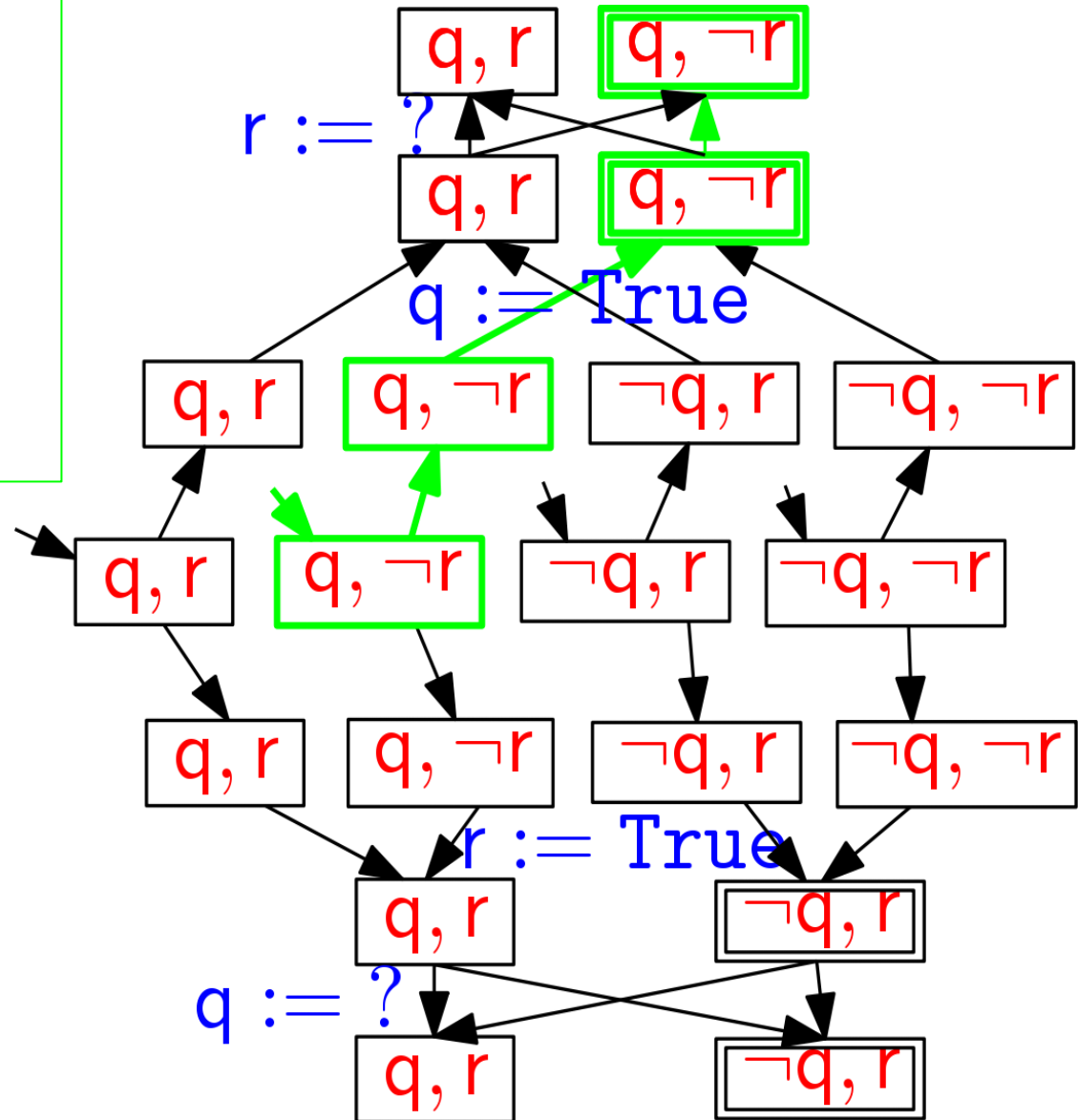
```
  end
```

```
ensure q and r end
```

Abstract Counterexamples: Example

```
Aqr_max (q, r: BOOLEAN) do
  if ? then
    q := True ; r := ?
  else
    r := True ; q := ?
  end
ensure q and r end
```

- Error states: including $\neg q$ or $\neg r$ and **without outgoing edges**
- An **abstract counterexample trace in green**



Concrete Run of Abstract C.E.



Because of how A_P has been built, there exists a instruction in P for every (possibly compound) instruction in A_P

Abstract run:

{ Pred(0) }

inst(1)

{ Pred(1) }

inst(2)

...

inst(N)

{ Pred(N) }

Concrete run:

Concrete-inst(1)

Concrete-inst(2)

...

Concrete-inst(N)

Let us check whether the concrete run is **infeasible**, according to the semantics of P .

Feasibility of a Concrete Run



Compute the **weakest precondition** of **True** over the concrete run with **conditions** (**assume**, conditionals, or exit conditions) **interpreted as assert** (this is doable automatically because there are no loops, modulo undecidability of the used logic fragment):

Abstract run:

{ **Pred(0)** }

inst(1)

{ **Pred(1)** }

inst(2)

...

inst(N)

{ **Pred(N)** }

Concrete run:

{ **WP(0)** }

Concrete-inst(1)

{ **WP(1)** }

Concrete-inst(2)

...

Concrete-inst(N)

{ **True** }

Every **formula WP(i)** characterizes the **states of P** reaching a final state where **Pred(N)** holds and hence where the **postcondition fails**.

Feasibility of a Concrete Run

The concrete run is **infeasible** if $WP(i)$ and $Pred(i)$ is unsatisfiable for some $1 \leq i \leq N$.

Concrete run:

{ $Pred(0)$	and	$WP(0)$ }
Concrete-inst(1)		
{ $Pred(1)$	and	$WP(1)$ }
Concrete-inst(2)		
...		
Concrete-inst(N)		
{ $Pred(N)$	and	True }

Spurious Counterexamples: Example



Abstract c.e. trace:

$\{q, \neg r\}$

[?]

$\{q, \neg r\}$

$q := \text{True} ; r := ?$

$\{q, \neg r\}$

Concrete trace:

$\{x > y\}$

assert $x > y$ end

{True}

Result := x

{True}

The counterexample is infeasible because:

$\{x > y \text{ and } q \text{ and } \neg r\}$ is inconsistent

as $\{x > y \text{ and } q\}$ implies $\{r\}$

Sufficient condition for infeasibility



The condition for **infeasibility** is only **sufficient**:

- If **WP(i)** and **Pred(i)** is **satisfiable** for all $1 \leq i \leq N$, **further analysis** may be needed, in general, to determine if the run is **feasible**.
- There are **additional techniques** to **decide feasibility automatically** (assuming satisfiability is decidable for the first-order fragment used in the annotations).
 - Essentially, we just have to deal with ? values appropriately
- In **our examples**, we will simply determine by **manual inspection** if a run that passes the infeasibility test is feasible or not.

Abstract Counterexamples: Example



```
neg_pow (x, y: INTEGER): INTEGER do
```

```
  require  $x < 0$  and  $y > 0$ 
```

```
  from Result := 1
```

```
  until  $y \leq 0$ 
```

```
  loop
```

```
    Result := Result * x
```

```
    y := y - 1
```

```
  end
```

```
ensure Result > 0 end
```

Predicates:

- $p: x < 0$

- $q: y > 0$

- $r: \text{Result} > 0$

```
Apqr_neg_pow (p, q, r: BOOLEAN) do
```

```
  require p and q
```

```
  from r := True
```

```
  until  $\neg q$ 
```

```
  loop
```

```
    if p and r then r := False else r := ? end
```

```
    q := ?
```

```
  end
```

```
ensure r end
```

Abstract Counterexamples: Example

```
Apqr_neg_pow (p, q, r: BOOLEAN) do
  require p and q
  from r := True
  until ¬q
  loop
    if p and r then r := False else r := ? end
    q := ?
  end
  ensure r end
```

Predicates:

- $p: x < 0$
- $q: y > 0$
- $r: \text{Result} > 0$

Abstract c.e. trace:

```
{p, q, ¬r}
  r := True
{p, q, r}
  [q]
{p, q, r}
  [p and r]
{p, q, r}
  r := False
{p, q, ¬r}
  q := ?
{p, ¬q, ¬r}
  [¬q]
{p, ¬q, ¬r}
```

Abstract Counterexamples: Example



Abstract c.e. trace:

{p, q, ¬r}
r := True

{p, q, r}
[q]

{p, q, r}
[p and r]

{p, q, r}
r := False

{p, q, ¬r}
q := ?

{p, ¬q, ¬r}
[¬q]

{p, ¬q, ¬r}

Concrete trace:

{y = 1}
Result := 1

{y = 1}
assert y > 0 end

{y ≤ 1}

Result := Result * x

{y ≤ 1}

y := y - 1

{y ≤ 0}

assert y ≤ 0 end

{True}

Abstract Counterexamples: Example



Concrete trace:

{ $y = 1$ }

Result := 1

{ $y = 1$ }

assert $y > 0$ end

{ $y \leq 1$ }

Result := Result * x

{ $y \leq 1$ }

$y := y - 1$

{ $y \leq 0$ }

assert $y \leq 0$ end

{True}

Predicates:

• $p: x < 0$

• $q: y > 0$

• $r: \text{Result} > 0$

The counterexample is **feasible**.

We have found a real bug in the concrete program occurring for input $y = 1$ (and any $x < 0$).



Predicate Discovery and Refinement

Predicate Discovery



A spurious counterexample shows that the used abstraction is too coarse.

We build a finer abstraction by adding new predicates to the set pred.

These new predicates must be chosen so that the spurious counterexample is not allowed in the new abstraction.

Syntax-based Predicate Discovery

The simplest way to find **new predicates** is **syntactic**:

Concrete run:

{ **Pred(0)** and **WP(0)** } { **WP(0)** } \ { **Pred(0)** }

Concrete-inst(1)

{ **Pred(1)** and **WP(1)** } { **WP(1)** } \ { **Pred(1)** }

Concrete-inst(2)

...

Concrete-inst(N)

{ **Pred(N)** and **True** } { **True** } \ { **Pred(N)** }

Look for **predicates** that:

- hold in the concrete run
- are not traced by any **predicate** in the abstract run
- **contradict** the predicates in the abstract run



Syntax-based Predicate Discovery: Example

Concrete trace:

$\{x > y\} \setminus \{q, \neg r\}$

assert $x > y$ end

$\{\text{True}\} \setminus \{q, \neg r\}$

Result := x

$\{\text{True}\} \setminus \{q, \neg r\}$

Predicates:

- q : Result $\geq x$
- $\neg r$: Result $< y$

The predicate from the concrete run that is not traced in the abstract run is:

- $p = x > y$

Predicate p contradicts $\{q, \neg r\}$. It is enough to verify the program with the new abstraction.



Summary, Tools, and Extensions

CEGAR: Summary



- Finite-state **predicate abstraction** of real programs
 - **Static analysis** & abstract interpretation
- Automated **verification of finite-state** programs
 - **Model checking** of reachability properties
- Detection of **spurious counterexamples**
 - Axiomatic semantics & **automated theorem proving**
- Automated **counterexample-based refinement**
 - **Symbolic model-checking** techniques

Software Model-Checking Tools



CEGAR software model-checkers

- **SLAM** -- Ball and Rajamani, ~2001
 - first full implementation of CEGAR software m-c
 - used at **Microsoft** for device driver verification
- **BLAST** -- Henzinger et al., ~2002
 - does **lazy abstraction**: partial refinement of abstract program
 - several extensions for arrays, recursive routines, etc.
- **Magic** -- Clarke et al., ~2003
 - modular verification of **concurrent** programs
- **F-Soft** -- Gupta et al., ~2005
 - Combines software model-checking **with abstract interpretation** techniques
- **CBMC & SATABS** -- Kroening et al., ~2005
 - Use **bounded** model-checking techniques

Software Model-Checking Tools

Other (non CEGAR) software model-checking tools

- **Verisoft** -- Godefroid et al. ~2001
- **Java PathFinder** -- Visser et al., ~2000
- **Bandera** -- Hatcliff, Dwyers, et al., ~2000

Software Model-Checking: Extensions



- Inter-procedural analysis
- Complex data structures
- Concurrent programs
- Recursive routines
- Heap-based languages
- Termination analysis
- Integration with other verification techniques
 - Static analysis
 - Testing
- ...

None of these directions is exclusive domain of software model-checking, of course...